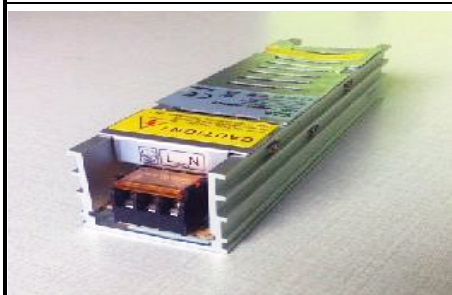


Thelemontree,S.L.
TECHNICAL DATA SHEET



Balmes , 44 –Les Masies de Voltregà, 08508
Tel. +34 93 850 28 96
Barcelona (Spain)
comercial@thelemontree.es
www.fuentedealimentaciontlt.com

TLT-NL150-W1V12/24



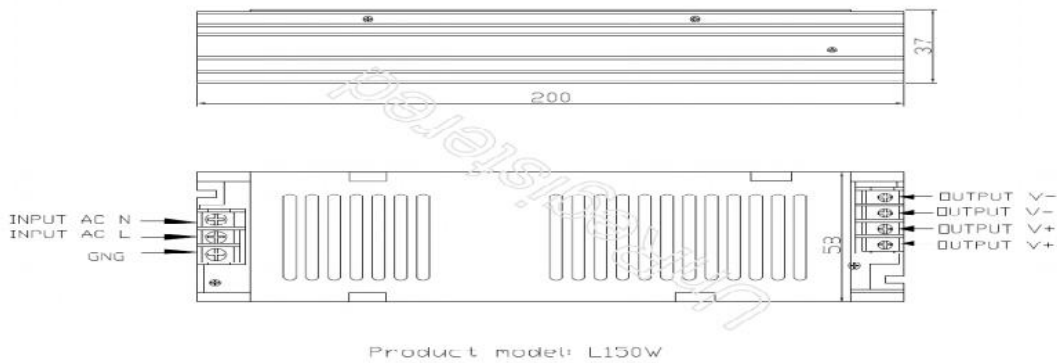
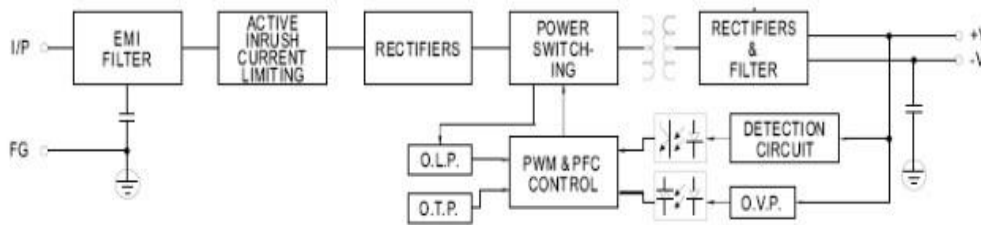
- 100% full load burn-in test
- Universal AC input
- Small size and high efficiency
- Built-in EMI filter with tiny ripple
- Protection: OTP, OLP,OVP,SCP
- 2 year warranty

Product		TLT-NL150-W1V12	TLT-NL150-W1V24
Output	Rated Voltage (V)	12	24
	Floating Voltage (V)	12,6	25,2
	Output Voltage Tolerance	12V±2%	24V±2%
	Rate Current (A)	12,5	6,5
	Rate Power(W)	150	150
	Max. output power (W)	160	170
	Current ripple	≤100mVp-p	≤120mVp-p
Input	Input voltage range (V)	AC 110~240V; 47Hz~63Hz;20A/40AC 230V	
	Input AC (A)	2.7A/115V~1.4A/230V	
	Efficiency	85%	84%
	Impact current (A)	5.4A	
	Start, Rise, Hold-up time	100ms,50ms,20ms	
	Quiescent current	<10mA/240VAC	
Protection	OLP	105%~150% of rated power, hiccup model, auto-recovery	
	OVP	over Max. Voltage, hiccup, auto recovery	
	OTP	≥85°C, auto recovery	
	SCP	>3 times short circuit, auto recovery	
Ambiant	Working Temp. & humidity	"-20°C~60°C, 20%~90%RH	
	Storage temp. & humidity	"-40°C~85°C, 10%~95%RH	
	Withstand voltage	I/P-O/P: 1.5KVAC/1min, I/P-F/G: 1.5KVAC/1min, O/P-F/G: 0.5KVAC/1min,	
Safety	Safety standard	GB4943 ;IEC60950-1; EN60950-1	
	EMC standard	EN55022 CLASS A; GB9254	

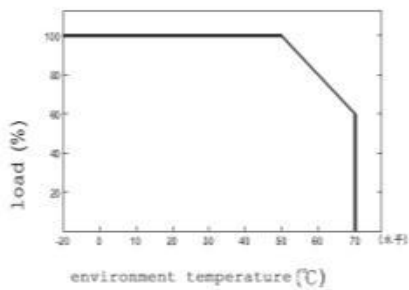
Mechanical Specification

Pin No.	Assignment	Pin No.	Assignment	Demension	
1	AC/L	4	DC OUTPUT-V	200mm*58mm*37mm/pcs	
2	AC/N	5	DC OUTPUT+V		0.4kg/pcs
3	FG				

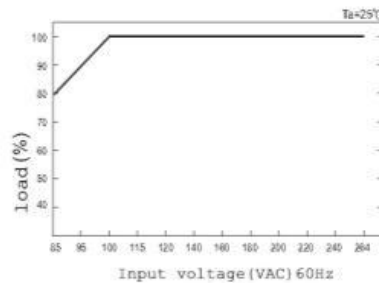
方框图



Derating Curve



Static Characteristics(12V)



REMARKS:

- 1, The above mentioned data were measured at 230VAC input and 25°C.
- 2, Ripple & noise are measured at 20MHz of bandwidth by using a 12" twisted pair-wire terminated with a 0.1uf & 47uf parallel capacitor.
- 3, Cut the AC input before checking any mal-phenomenons.
- 4, Make sure the INPUT&OUPUT were in right situation before connected to power supply.
- 5, Be ware of high power pressure may caused by short circuit when installing metal casing products.
- 6, Please contact us at comercial@thelemonetree.es for further solution if any unforeseeable problem happens.