

Thelemontree,S.L.
TECHNICAL DATA SHEET



Balmes , 44 – Les Masies de Voltregà, 08508
Tel. +34 93 850 28 96
Barcelona (Spain)
comercial@thelemontree.es
www.fuentedealimentaciontlt.com

TLT-FXX60-W1V12

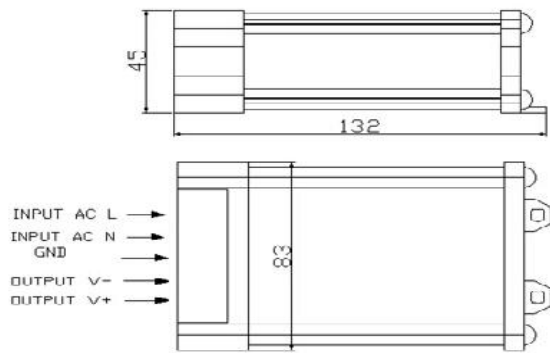
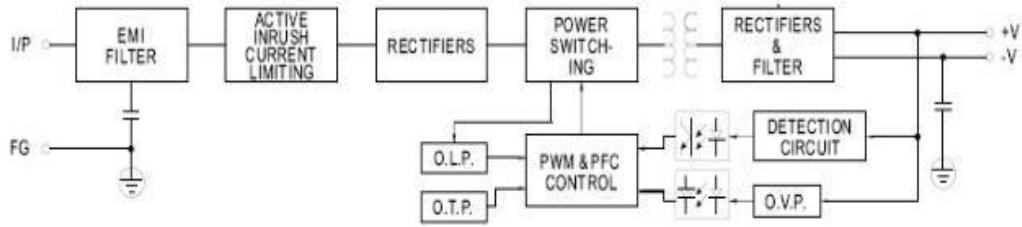


- 100% full load burn-in test
- Universal AC input
- Small size and high efficiency
- Built-in EMI filter with tiny ripple
- Protection: OTP, OLP,OVP,SCP
- 2 year warranty

Product		TLT-FXX60-W1V12
Output	Rated Voltage (V)	12
	Floating Voltage (V)	12,6
	Output Voltage Tolerance	12V±2%
	Rate Current (A)	5A
	Rate Power(W)	60W
	Max. output power (W)	70W
	Current ripple	≤120mVp-p
Input	Input voltage range (V)	AC 100~240V; 47Hz~63Hz;
	Input AC (A)	0.63A/115V~0.3A/ 230V
	Efficiency	85%
	Start, Rise, Hold-up time	100ms,50ms,20ms
	Quiescent current	<10mA/240VAC
Protection	OLP	105%~150% of rated power, hiccup model, auto-recovery
	OVP	over Max. Voltage, hiccup, auto recovery
	OTP	Rectifier ≥85°C, auto recovery
	SCP	>3 times short circuit, auto recovery
Ambiant	Working Temp. & humidity	"-20°C~60°C, 20%~90%RH
	Storage temp. & humidity	"-40°C~85°C, 10%~95%RH
	Withstand voltage	I/P-O/P: 1.5KVAC/1min, I/P-F/G: 1.5KVAC/1min, O/P-F/G: 0.5KVAC/1min,
Safety	Safety standard	GB4943 ;IEC60950-1; EN60950-1
	EMC standard	EN55022 CLASS A; GB9254

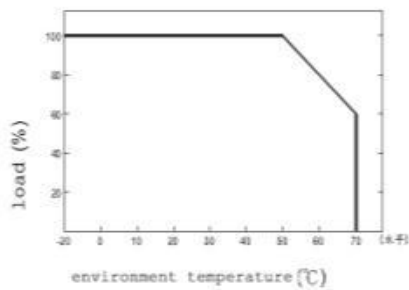
Mechanical Specification

Pin No.	Assignment	Pin No.	Assignment		
1	AC/L	4	DC OUTPUT-V	Demension(L*W*H)	140*87*49mm
2	AC/N	5	DC OUTPUT+V	Net Weight	0.3kg/pcs
3	FG				

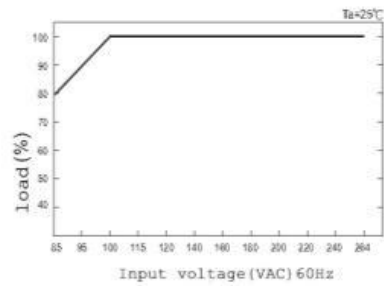


Product model: FXX60W

Derating Curve



Static Characteristics(12V)



REMARKS:

- 1, The above mentioned data were measured at 230VAC input and 25°C.
- 2, Ripple & noise are measured at 20MHz of bandwidth by using a 12" twisted pair-wire terminated with a 0.1uf & 47uf parallel capacitor.
- 3, Cut the AC input before checking any mal-phenomenons.
- 4, Make sure the INPUT&OUPUT were in right situation before connected to power supply.
- 5, Be ware of high power pressure may caused by short circuit when installing metal casing products.
- 6, Please contact us at comercial@thelemon-tree.es for further solution if any unforeseeable problem happens.